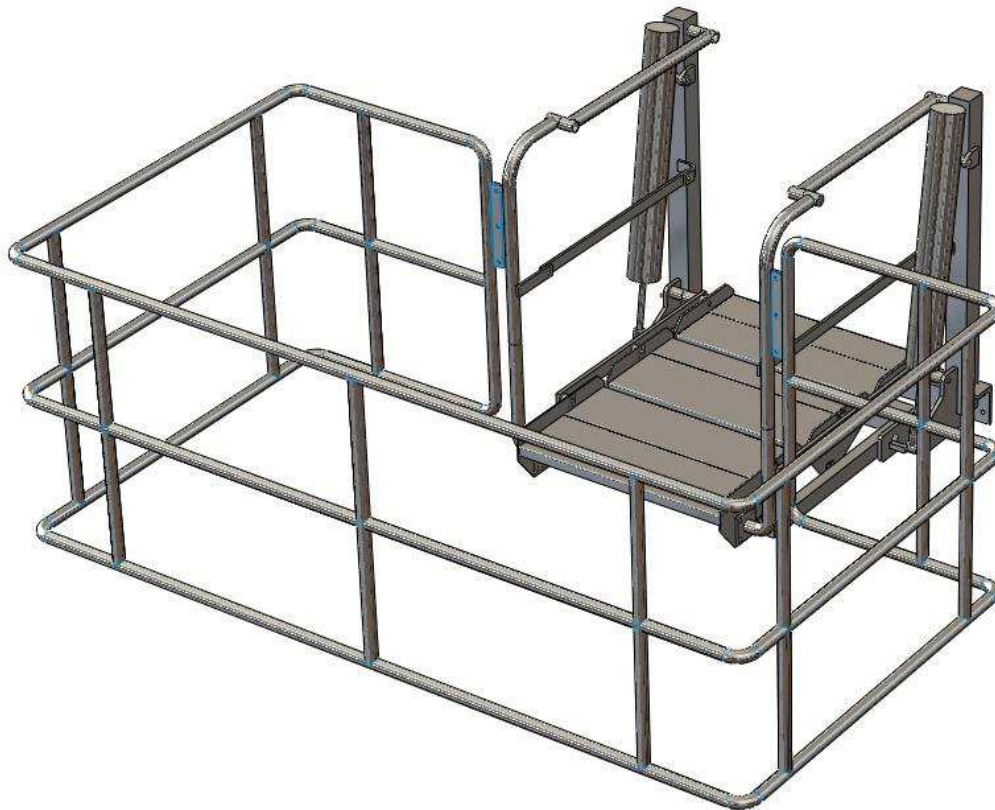


# OPERATION & MAINTENANCE MANUAL

## SELF LEVELLING TANKER ACCESS FOLDING STAIRS FS-3STEP: FS-4STEP: FS-5 STEP



## CONTENTS

1. General arrangement drawing
2. Safety cage (optional)
3. Component description
4. Operating instructions
5. Adjusting chain
6. Maintenance schedule

### **Description:-**

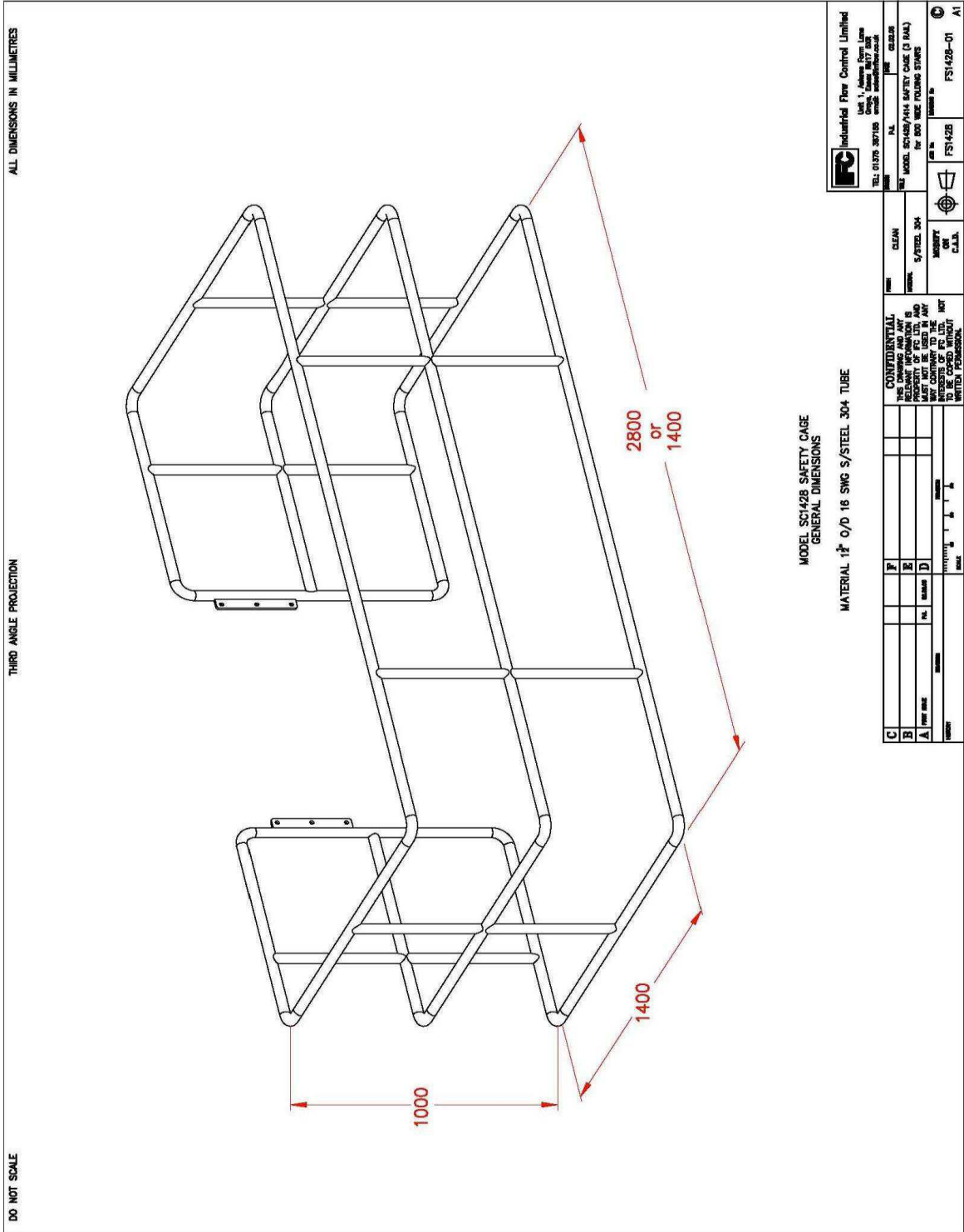
IFC 3 step, 4 step & 5 step self levelling compression spring balanced folding stairs with optional 1400mm x 1400mm or 1400mm x 2800mm long safety cage.

### **Specification:-**

Type:	Self levelling
Width:	800mm
Horizontal reach:	1250mm, 1650mm, 2050mm
Balance:	Adjustable heavy duty compression spring/s
Parking Mech.:	Spring loaded foot pedal with adjustable parking chain
Safety mid step hinge:	Included
Lifting rope:	Included
Main bearing:	Sealed with grease point
Pivot points:	Teflon bushed
Tanker protection:	Bottom step fitted with rubber bumper bar
Material & finish:	Stairs - Mild steel / hot dip galvanised Cage – Mild steel / hot dip galvanised Cage Specials – Aluminium

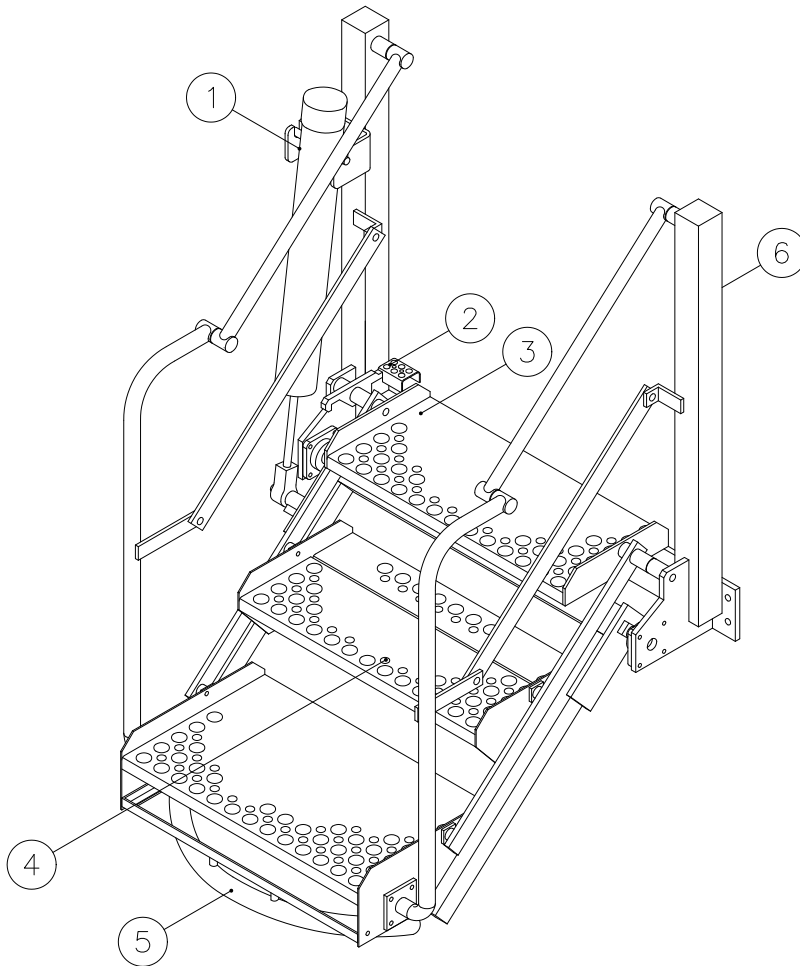


**2. GENERAL ARRANGEMENT DRAWING – SAFETY CAGE**



### 3. COMPONENT DESCRIPTION

1. Compression spring cylinder
2. Stair locking foot pedal
3. Fixed inner step
4. Self levelling step with anti foot trap
5. Self levelling step with bumper bar
6. Stair angle chain adjusting bracket



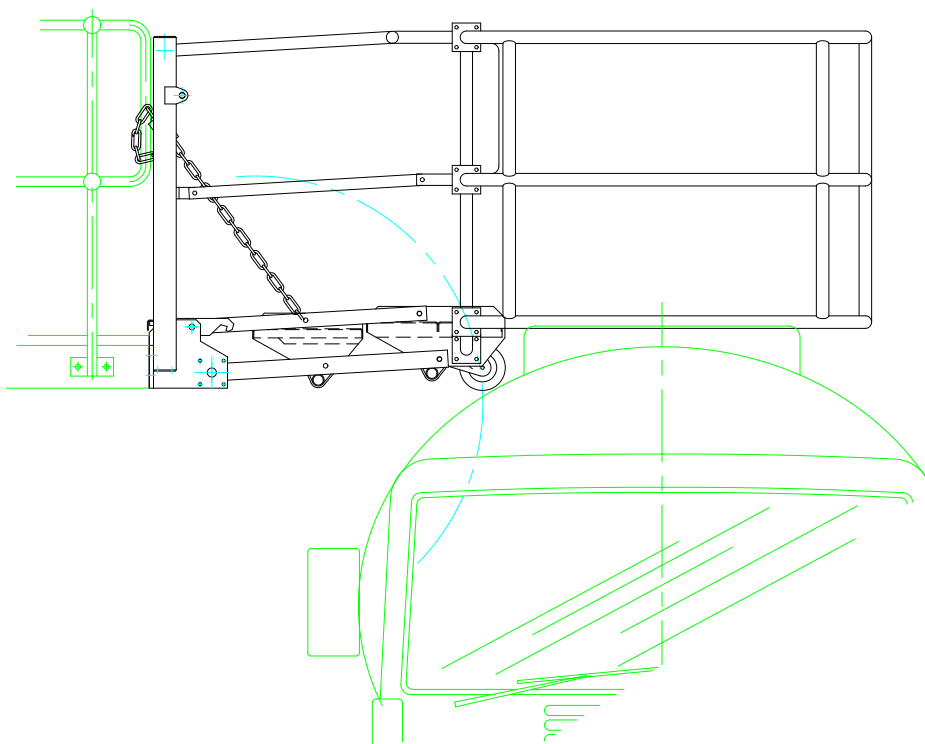
## 4. OPERATING INSTRUCTIONS

### Operation

- 1) Lower the Folding Stairs by depressing the foot pedal with the right foot. Slowly walk down the stairs, pushing the top step away from the body as you do so.
- 2) To raise the Folding Stairs after use, stand on the platform, reach forward to grasp the rope (not shown for clarity) and keeping your back straight pull the stairs up until it is latched by the foot pedal.

### Safety Notes

- 1) Only lower the Folding Stairs when a tanker is in position.
- 2) Ensure the Folding Stairs are back in their parked position before driving the tanker away.

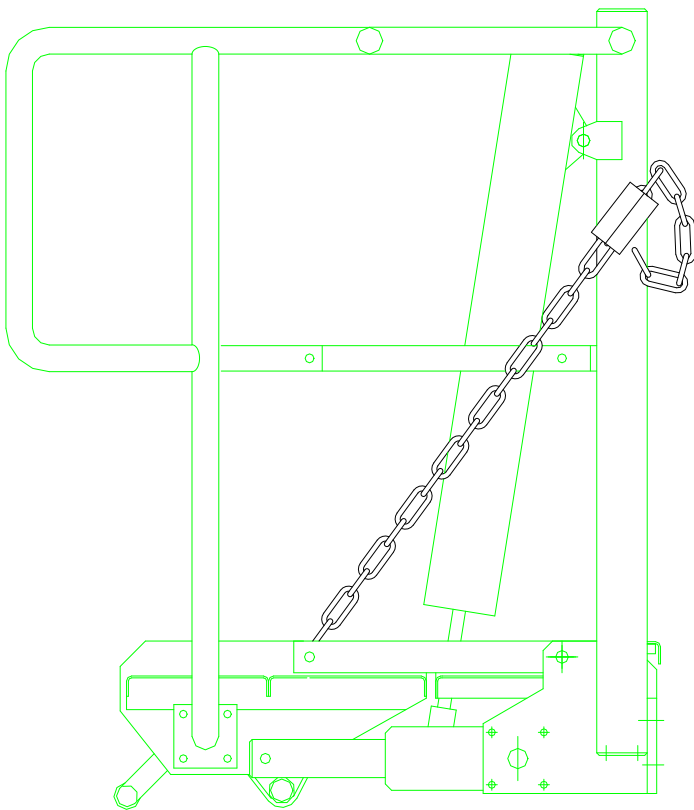


## 5. ADJUSTING CHAIN

### Adjusting Chain

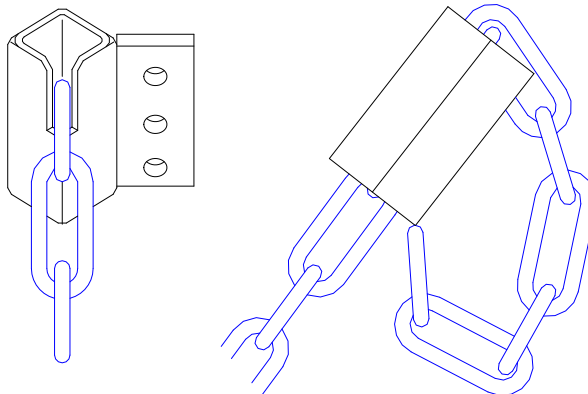
Not all road tankers can accommodate folding stairs i.e. Manhole covers obstruct the stair rotation or the tank barrel cannot support the weight of folding stairs. For this reason an adjusting chain is fitted.

The adjustable chain can fix the folding stairs at any rotation providing a safe working platform without the stair coming into contact with the road tanker.



### Chain adjustment

To adjust the stair rotation, lift the chain out of the slotted groove until it is free to slide within the box section housing. When the desired length has been achieved, push the chain back into the slot. Gravity and the weight of the stair assembly will keep the chain secure.

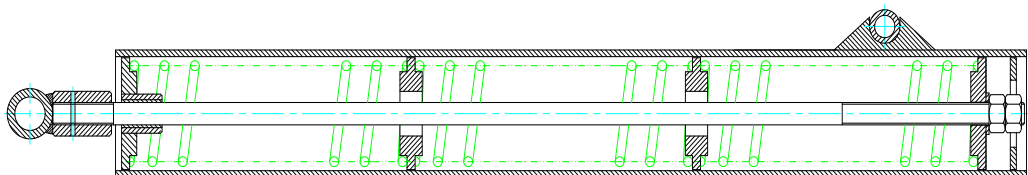




## 6. MAINTENANCE SCHEDULE

### Compression Spring Balance Cylinders

The folding stairs are balanced via one or two compression spring cylinders (shown below). The cylinders contain pre-energised springs fitted to suit each stair size. For this reason they are greased and sealed for life within the cylinder and cannot be removed. Some small adjustment can be made by:- 1) Remove the plastic end cap. 2) loosen the top nut & turn bottom nut counter clockwise to increase pre tension. 3) Re-tighten top nut to lock both & refit cap. If your stairs have two spring units ensure the same amount of adjustment is made on both springs. Do not exceed adjustment.

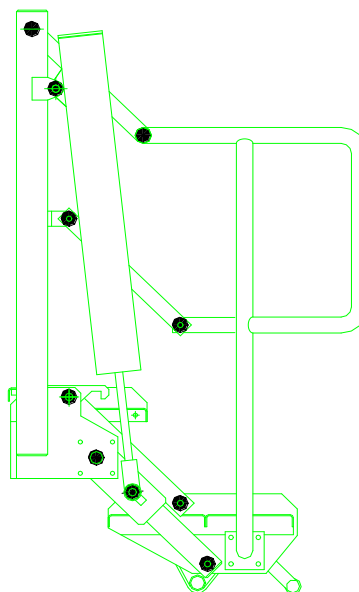


### Yearly Maintenance

Located at the base of the main stringer pivot are 2 x SF30 flanged bearings. These should be greased at regular intervals and replaced if worn or damaged.

To ensure the smooth operation of the stairs, all pivot points shown in black should be cleaned and lubricated with suitable grease.

In salty, corrosive & dusty environments, lubricate as required to ensure the free movement of the assembly.





## DECLARATION OF CONFORMITY

Product Description: FS-3STEP - 3 step 1250 x 800mm wide folding stairs  
FS-4STEP – 4 step 1650 x 800mm wide folding stairs  
FS-5STEP - 5 step 2050 x 800mm wide folding stairs  
1400mm x 2800mm wide safety cage  
1400mm x 2800mm wide safety cage

Industrial Flow control Ltd trading as IFC inflow declares that the above product has been designed and manufactured to the following specifications:-

98/37/EC Machinery Directive

BS 2037 Ladders and Steps Class 1 for industrial use.

BS 4592 0: 2006 Industrial type open metal flooring, walkways and stair treads.

BS EN ISO 14122-2/3/4 Code of practice for the design of industrial type stairs, etc.

We hereby declare that in compliance with the above directives the equipment named has been designed and manufactured to comply with the above specifications.

Sign for and on behalf of Industrial Flow Control Ltd

Kiran Shaw

Operations Director