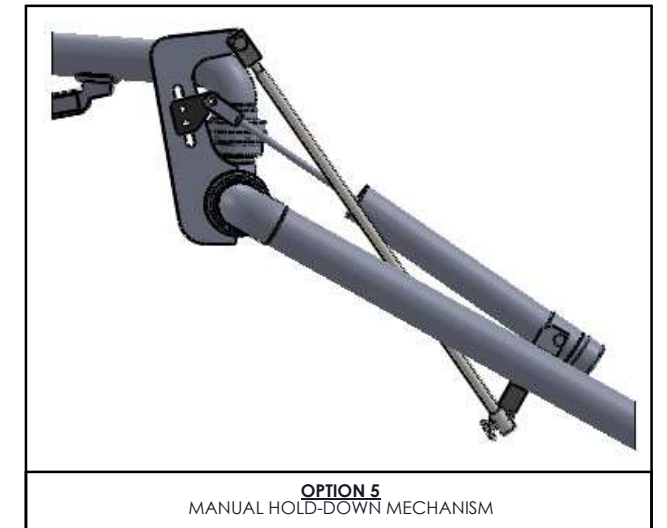
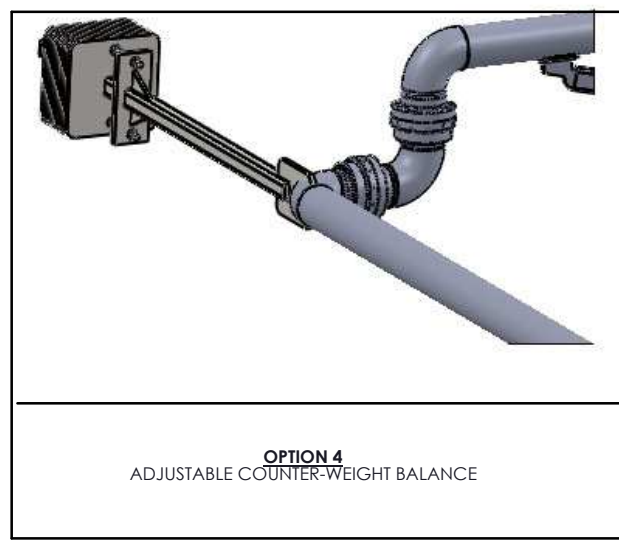
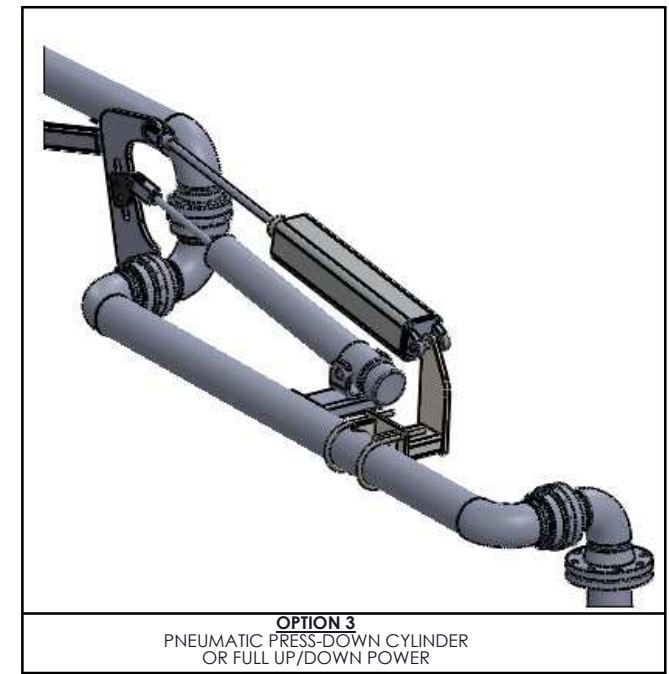
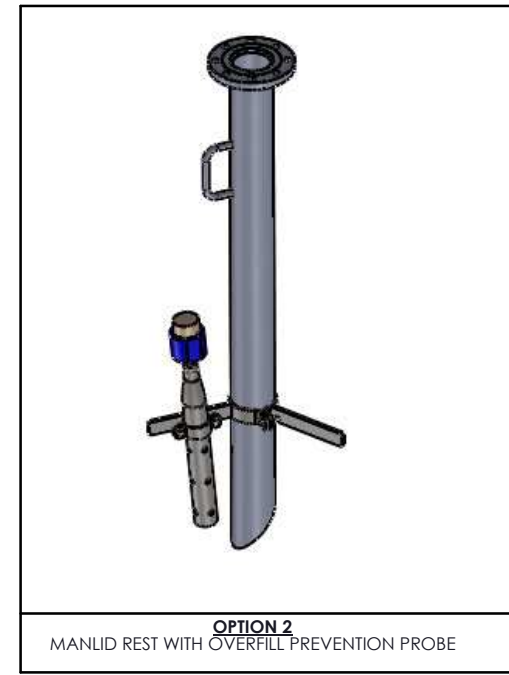
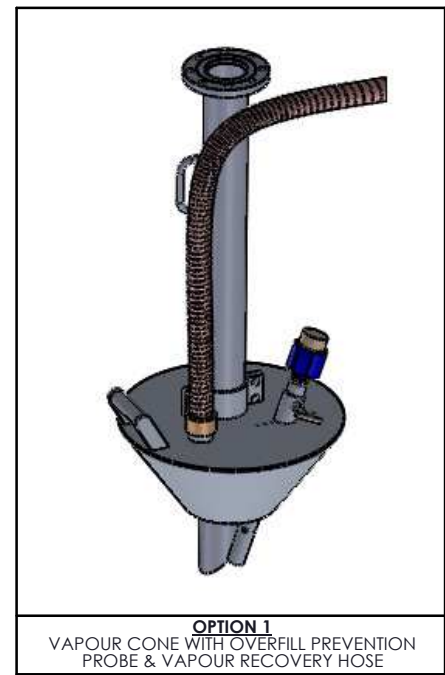
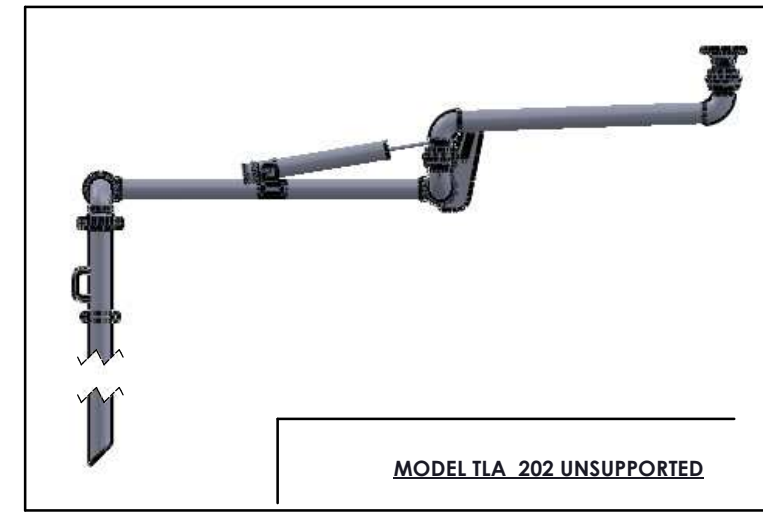
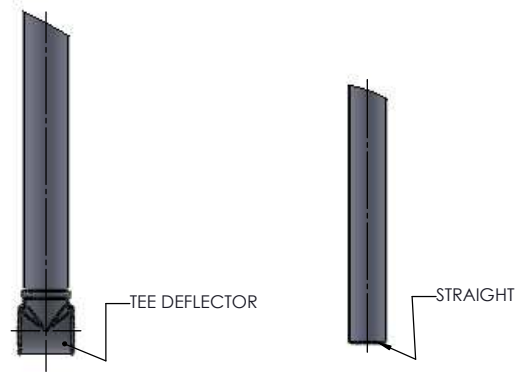
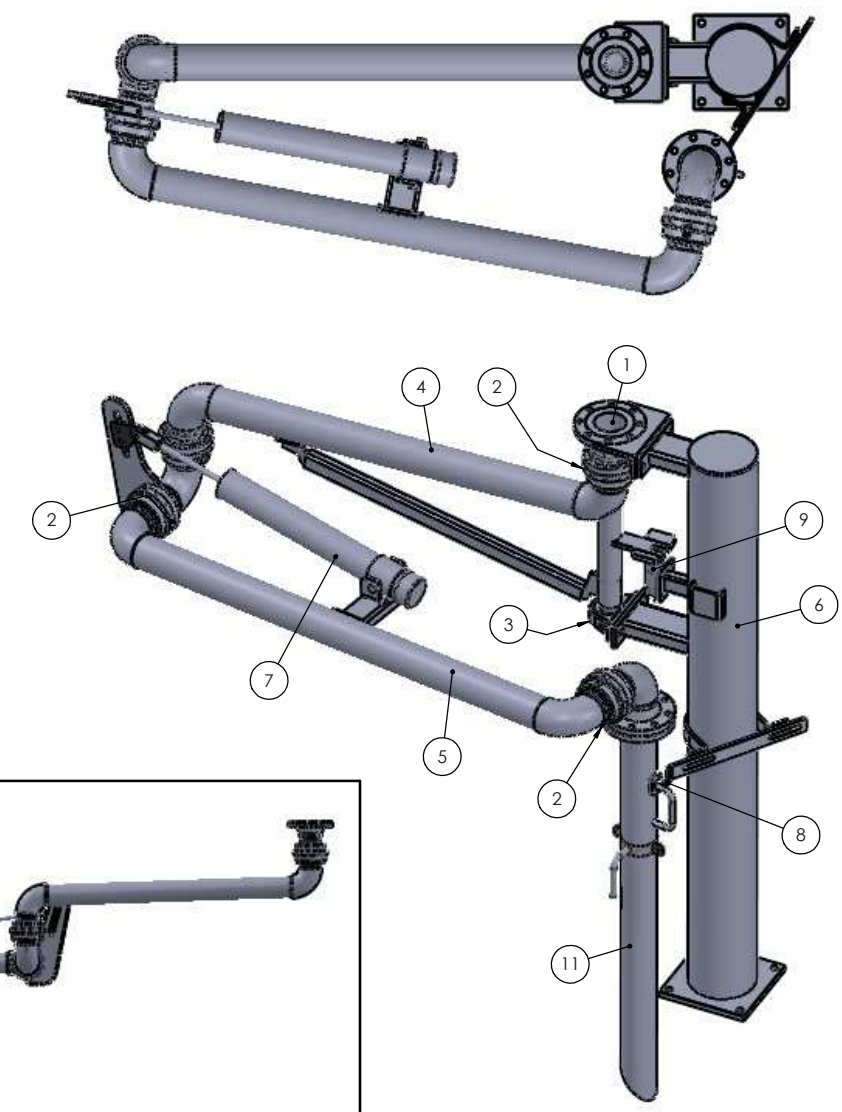
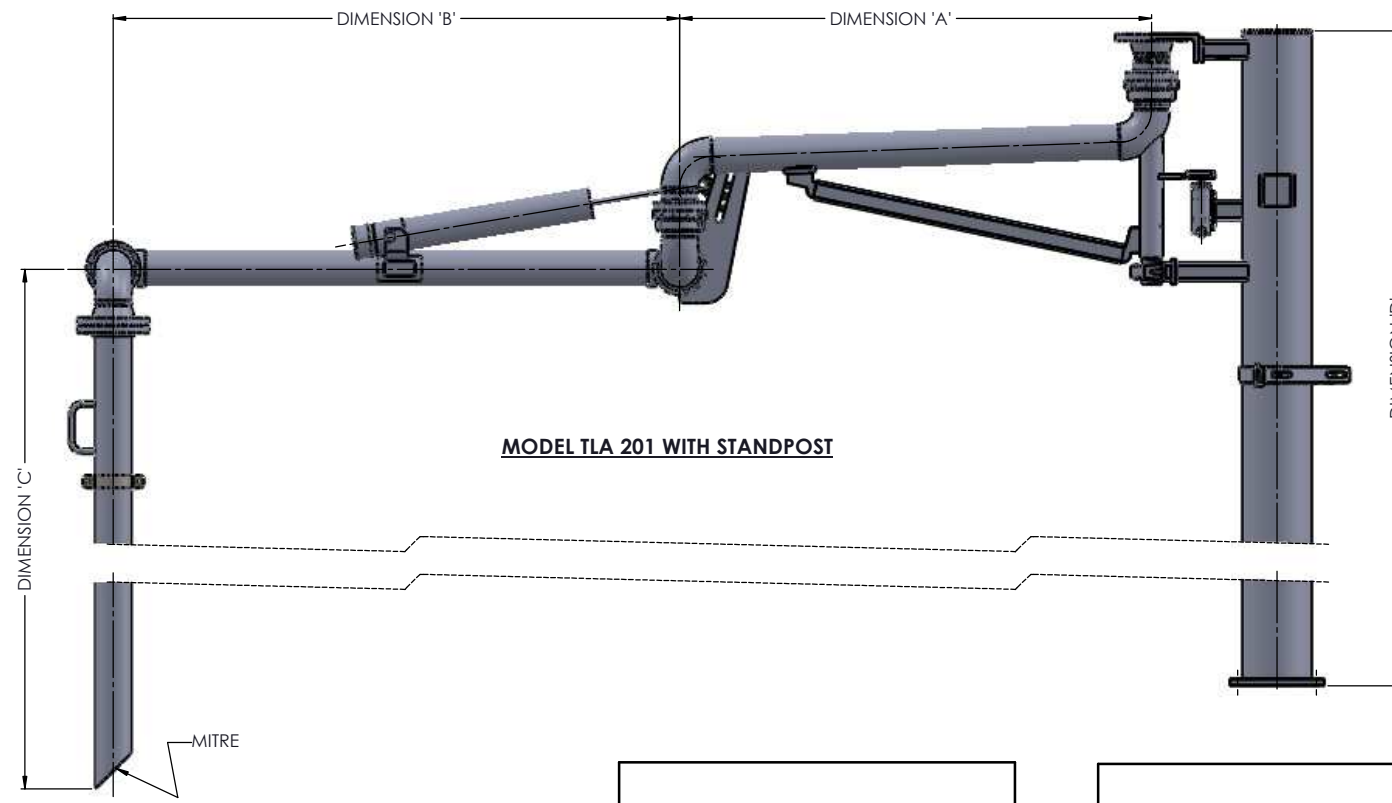


ITEM NO.	DESCRIPTION
1	INLET FLANGE - ANSI 150, PN16
2	3 PART SWIVEL JOINT WITH PTFE SEAL
3	PILLOW BLOCK BEARING
4	BOOM ARM
5	PRIMARY ARM
6	STANDPOST (C/STEEL)
7	SPRING BALANCE CYLINDER (C/STEEL)
8	DROP PIPE LABARYNTH PARKING BRACKET (C/STEEL)
9	BOOM ROTATIONAL LOCK (C/STEEL)
11	FLANGED DROP PIPE

GENERAL PURPOSE TOP LOADING ARM

AVAILABLE IN $\varnothing 2"$, $\varnothing 3"$, $\varnothing 4"$ & $\varnothing 6"$ SIZE
 MATERIALS OF CONSTRUCTION
 CARBON STEEL, PTFE LINED CARBON STEEL,
 304/316 STAINLESS STEEL



REVISION	DESCRIPTION	DATE	BY	CHKD
C	UPDATED DETAIL ADDED	06.11.15	RB	F
B	UPDATED	04.02.15	P.J.L	E
A	FIRST ISSUE FOR QUOTATION	22.08.14	P.J.L	D

CONFIDENTIAL

This drawing and any relevant information contained herein is property of IFC Ltd, and must not be used in any way contrary to the interests of IFC Ltd. Do not copy without prior written permission.

FINISH	AS REQUIRED	DRAWN	P.J.L	DATE	22.08.14
MATERIAL	AS REQUIRED	TITLE	TOP LOADING ARM GENERAL ARRANGEMENT TLA 201/ TLA 202		
MODIFY ON	C.A.D.	JOB No	106510	DRAWING No	CHEM-TLA-006
THIRD ANGLE PROJECTION		REV	C	SHT 1 OF 3	