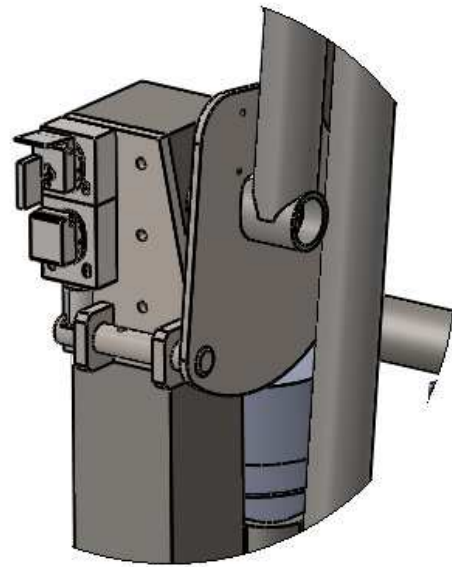
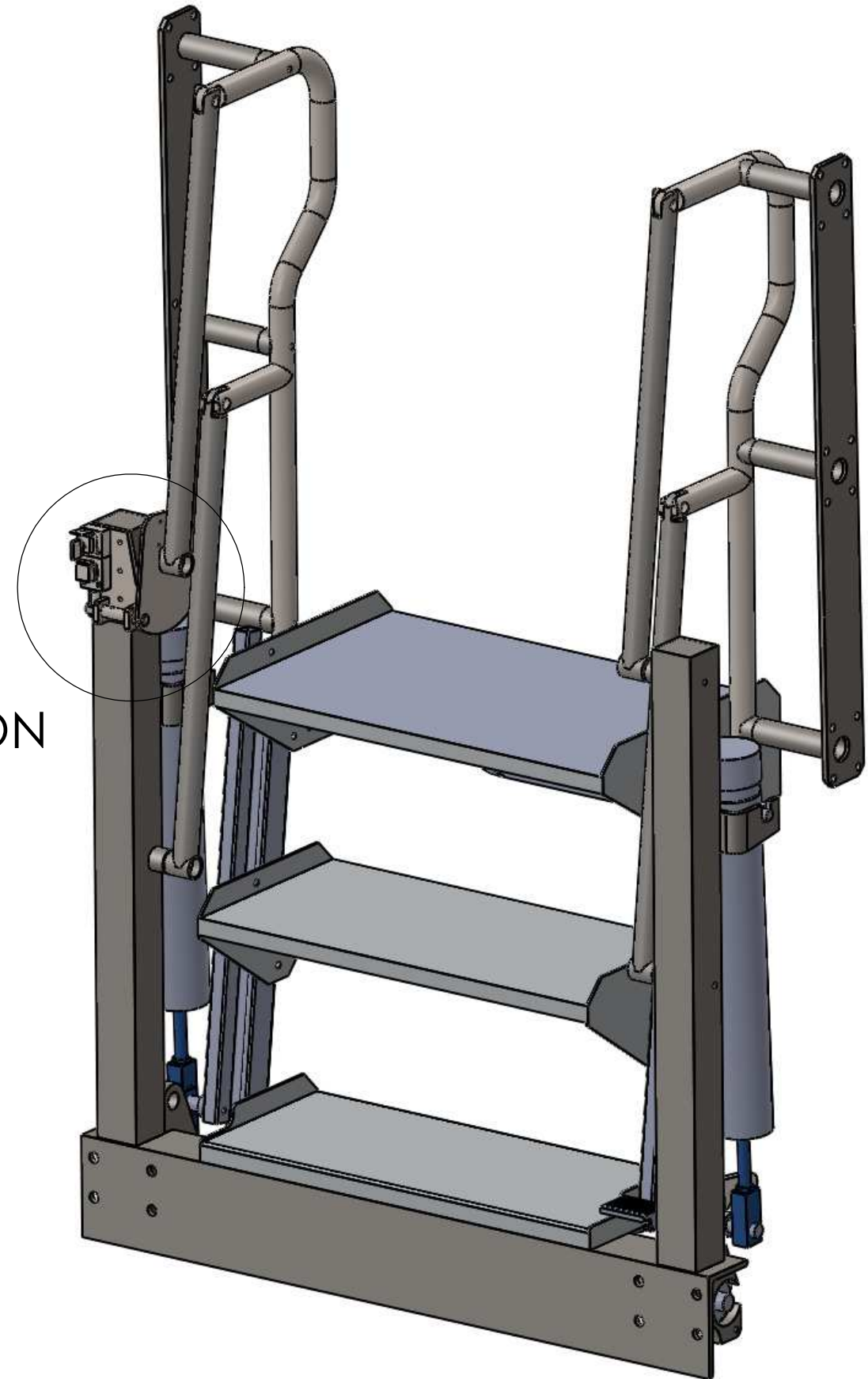
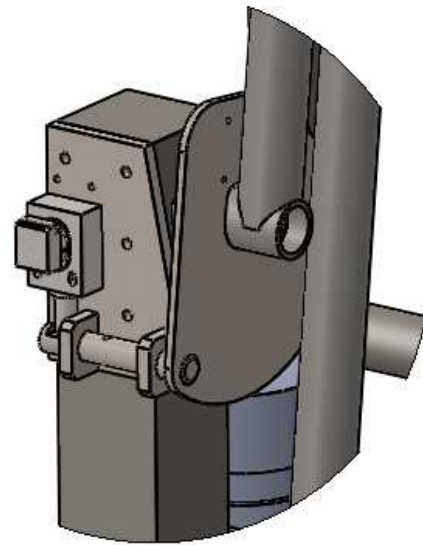


DUAL KEY
INTERLOCK OPTION



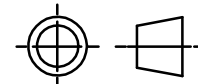
INTERLOCK OPTION

SINGLE KEY
INTERLOCK OPTION



F			L		
E			K		
D			J		
C			I		
B			H		
A	FIRST ISSUE FOR QUOTATION	26/11/2015	G		

CONFIDENTIAL
This drawing and any relevant information contained herein is property of IFC Ltd, and must not be used in any way contrary to the interests of IFC Ltd. Do not copy without prior written permission.



DRAWN	RB
DATE	09/04/2015
FINISH	
MATERIAL	



IFC inflow
Unit 3, Ryder Way
Basildon, Essex, SS13 1QH
email : sales@ifcinflow.com

TITLE		FOLDING STAIRS INTERLOCK OPTIONS	REV
JOB No	FS-301	DRAWING No	FS-INTERLOCK
		SHEET 1 of 1	