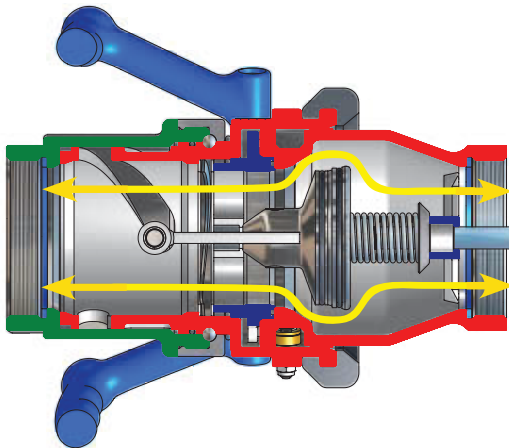


How it works - The coupling function

The principle of operation is similar for all types of Mann Tek Couplings

To connect

Push and turn
- it's coupled
- full flow



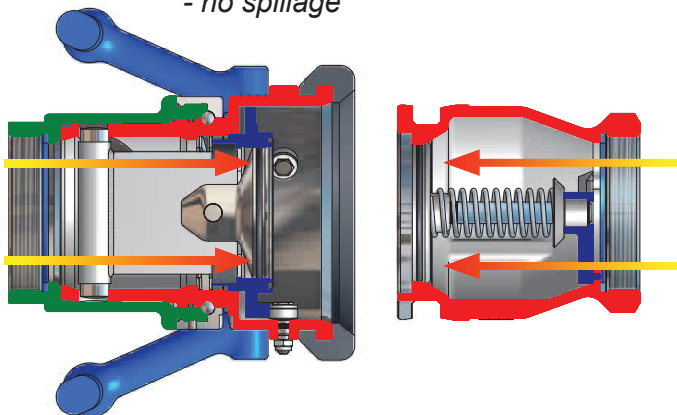
When connecting the DD-Coupling the hose unit will slide easily over the tank unit. The three rollers engage in the three slots.

To allow the hose unit to lock, rotate the hose unit clockwise approximately 100° whilst gently pushing towards the tank unit.

To stop the flow and unlock the units, reverse the procedure.

To disconnect

Turn and pull
- it's released
- no spillage



Unique Design Gives Several Advantages

- **Easy to handle**
Push and turn - free flow.
Turn and pull - closed.
- **Time saving**
No need to drain hoses or pipe systems.
- **Economical**
No loss or spillage of liquids at connection or disconnection.
- **Safe**
The valve cannot be opened until the unit is coupled.
- **Environmentally friendly**
Accidental spillage eliminated.
- **Reliability**
No loss or spillage of liquids at connection or disconnection.