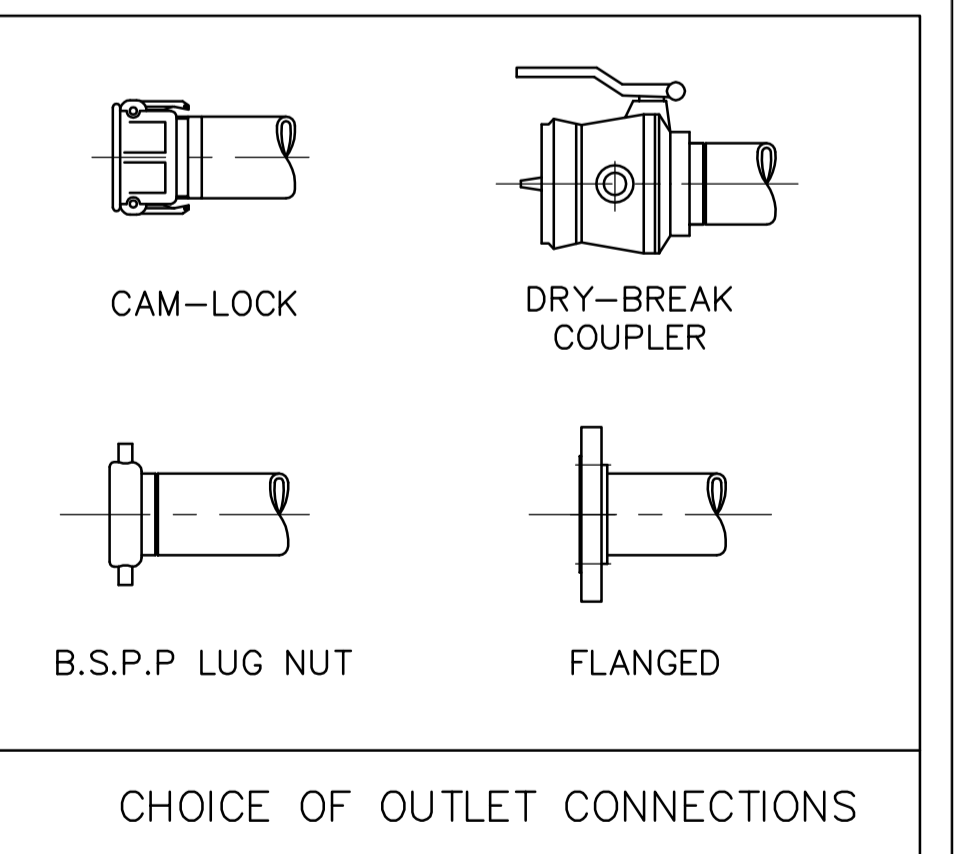
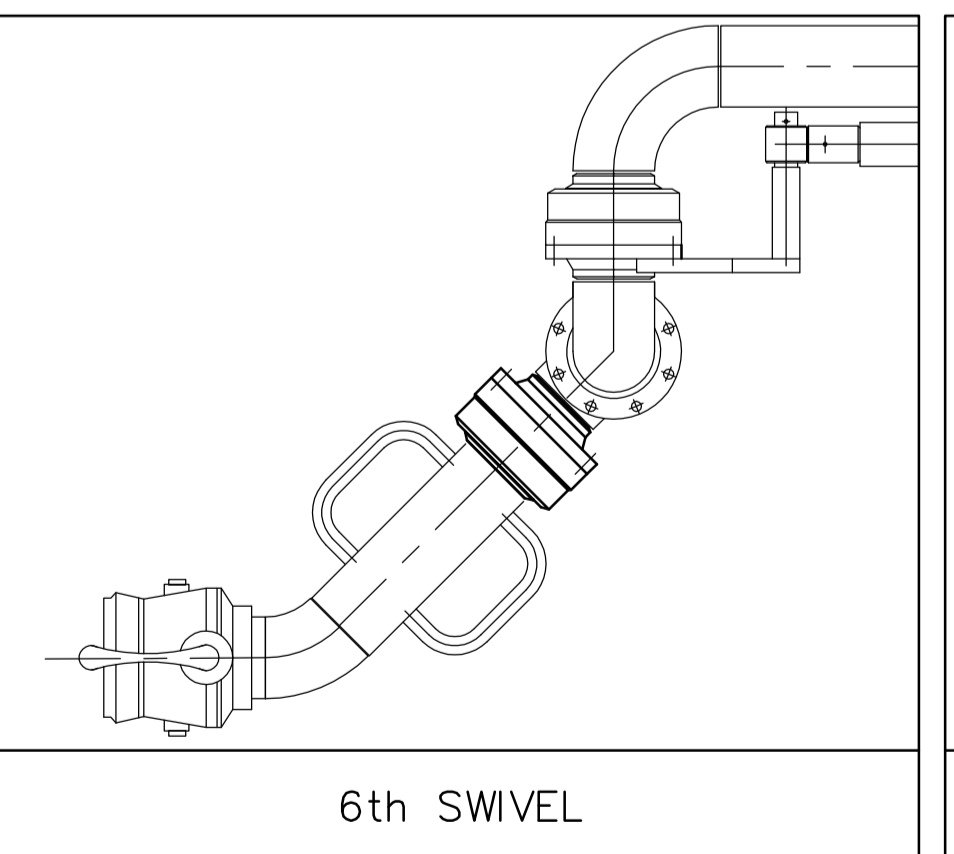
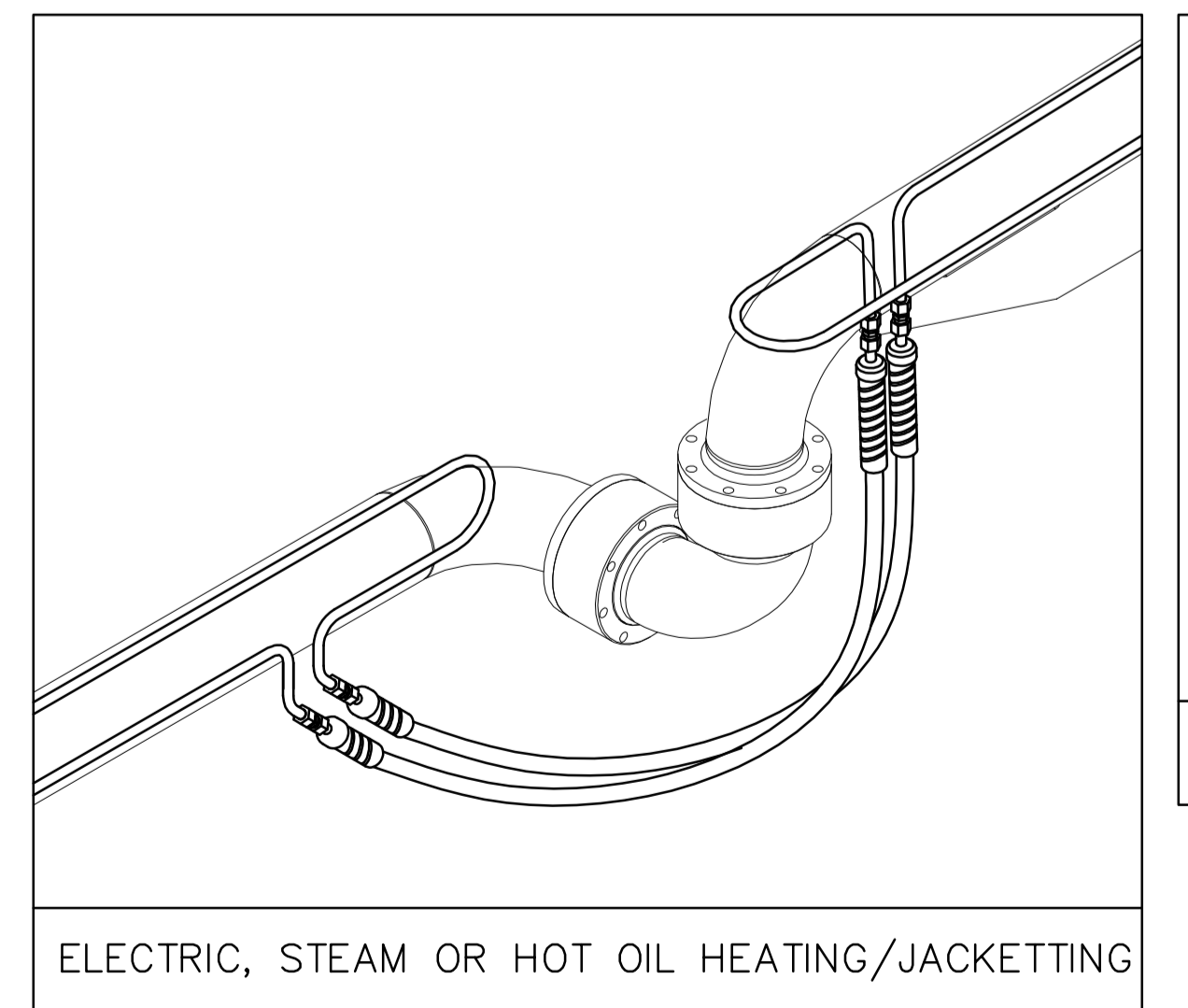
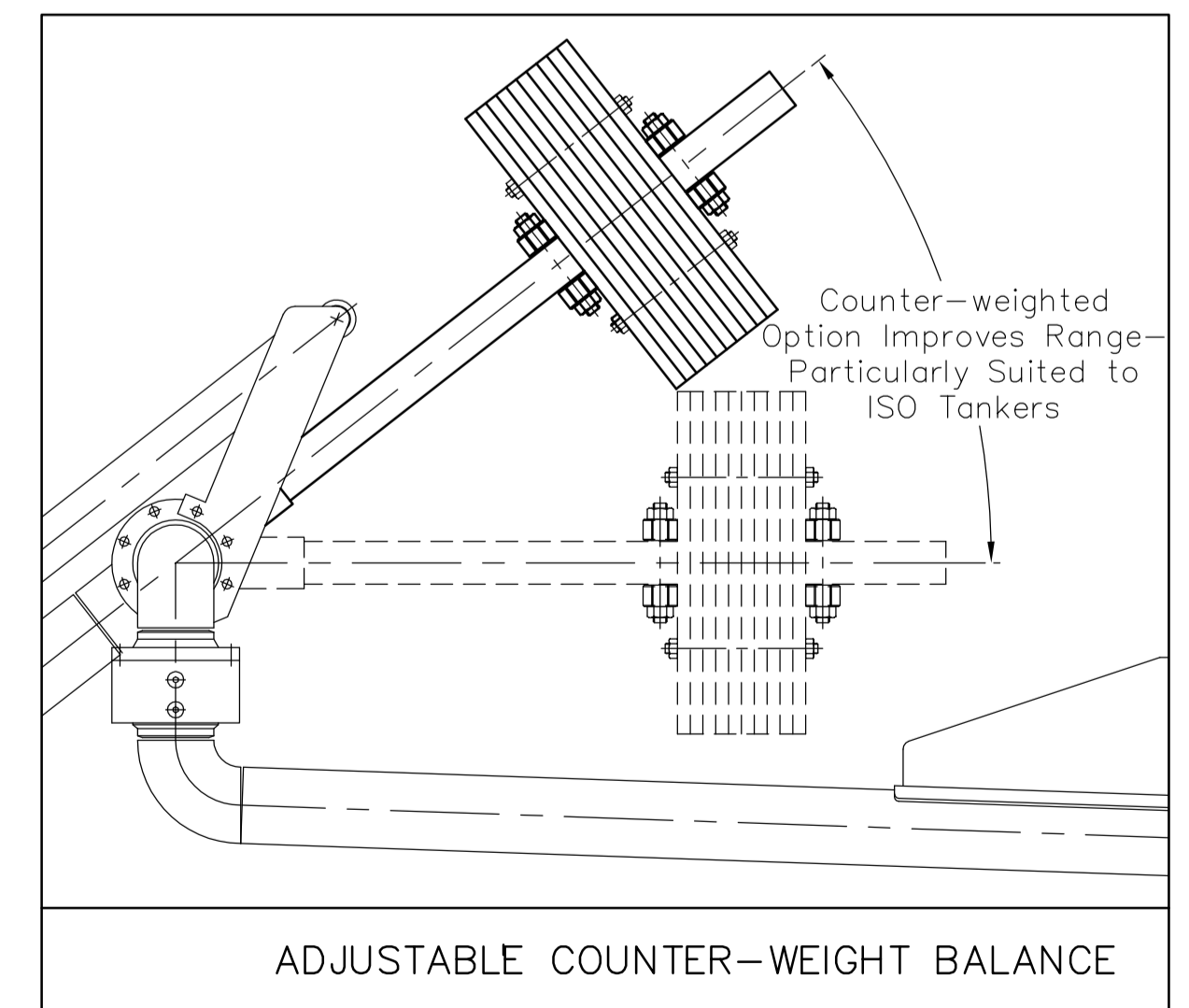
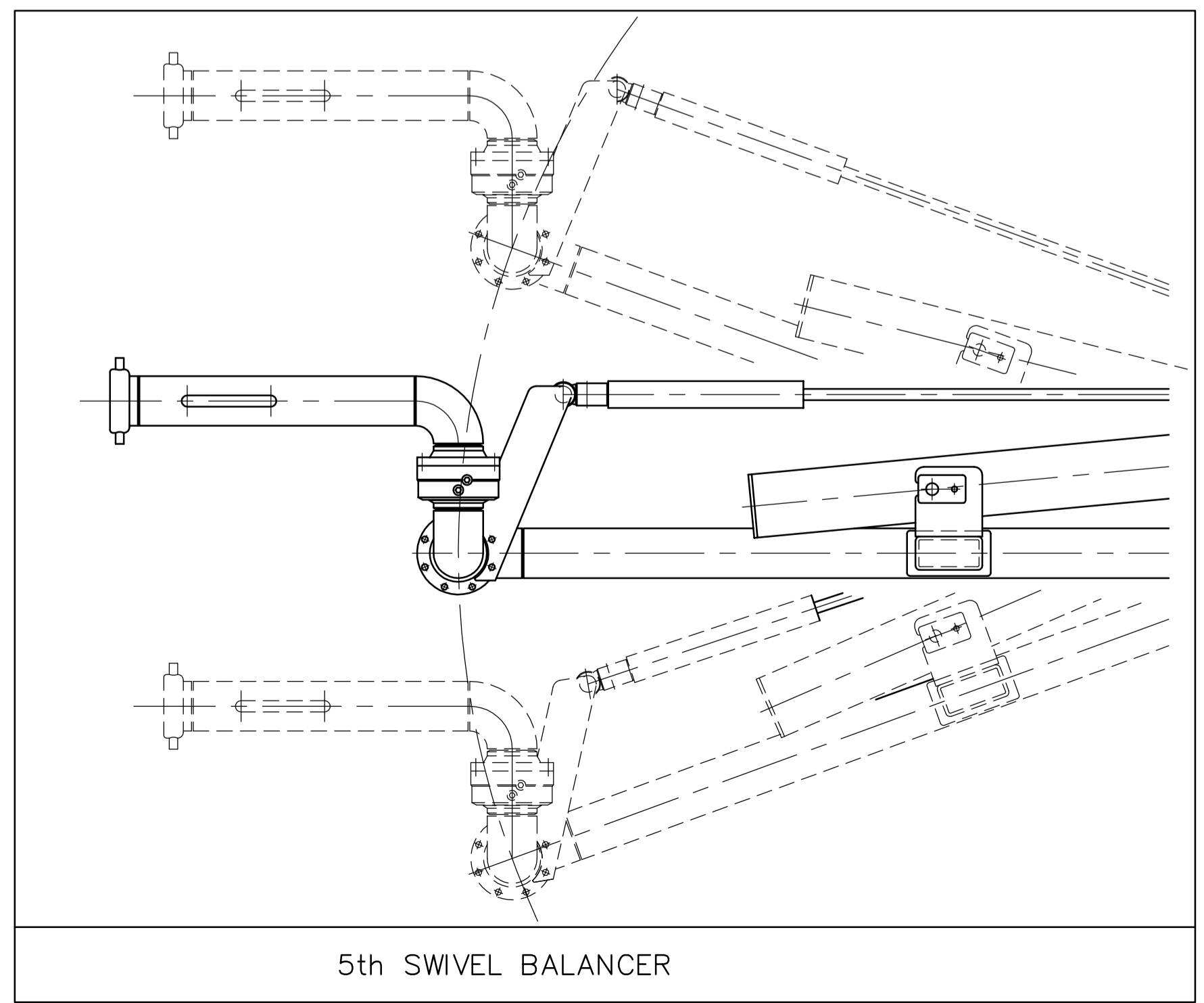
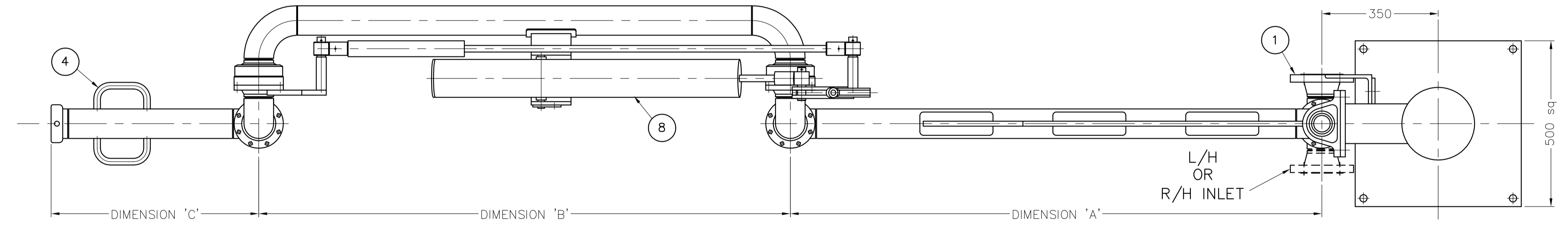
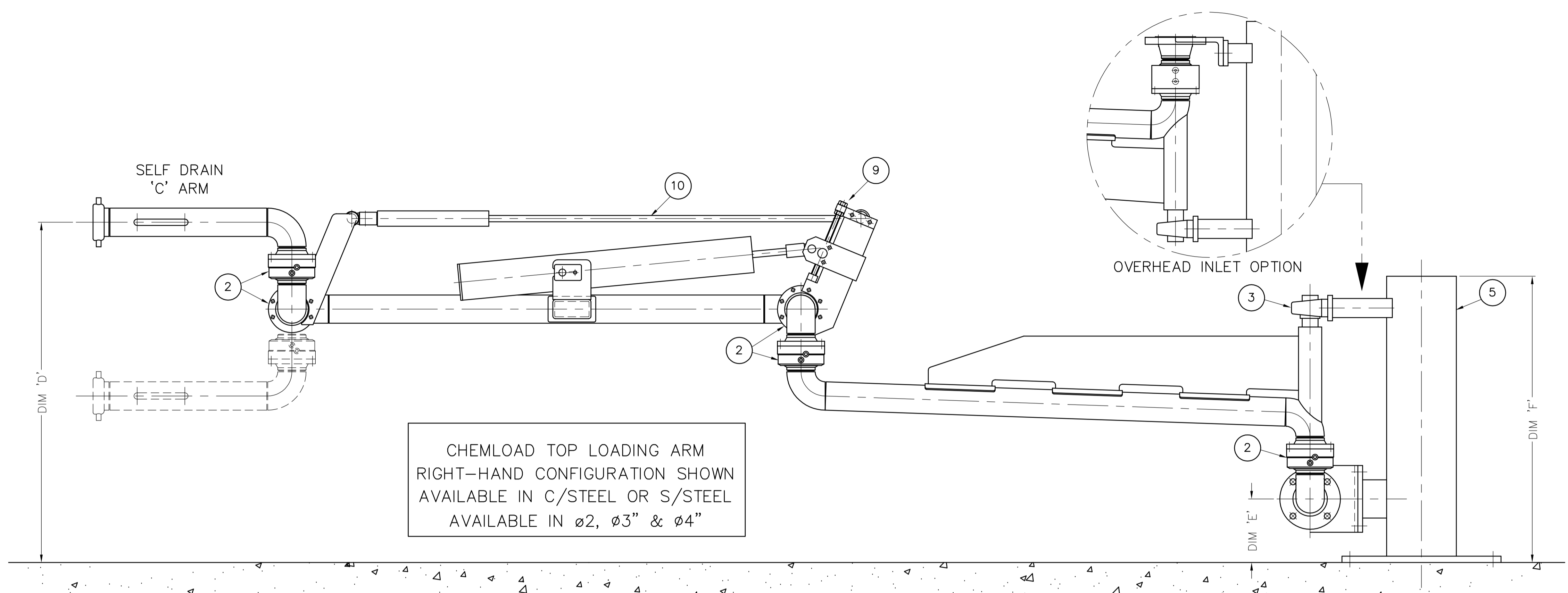
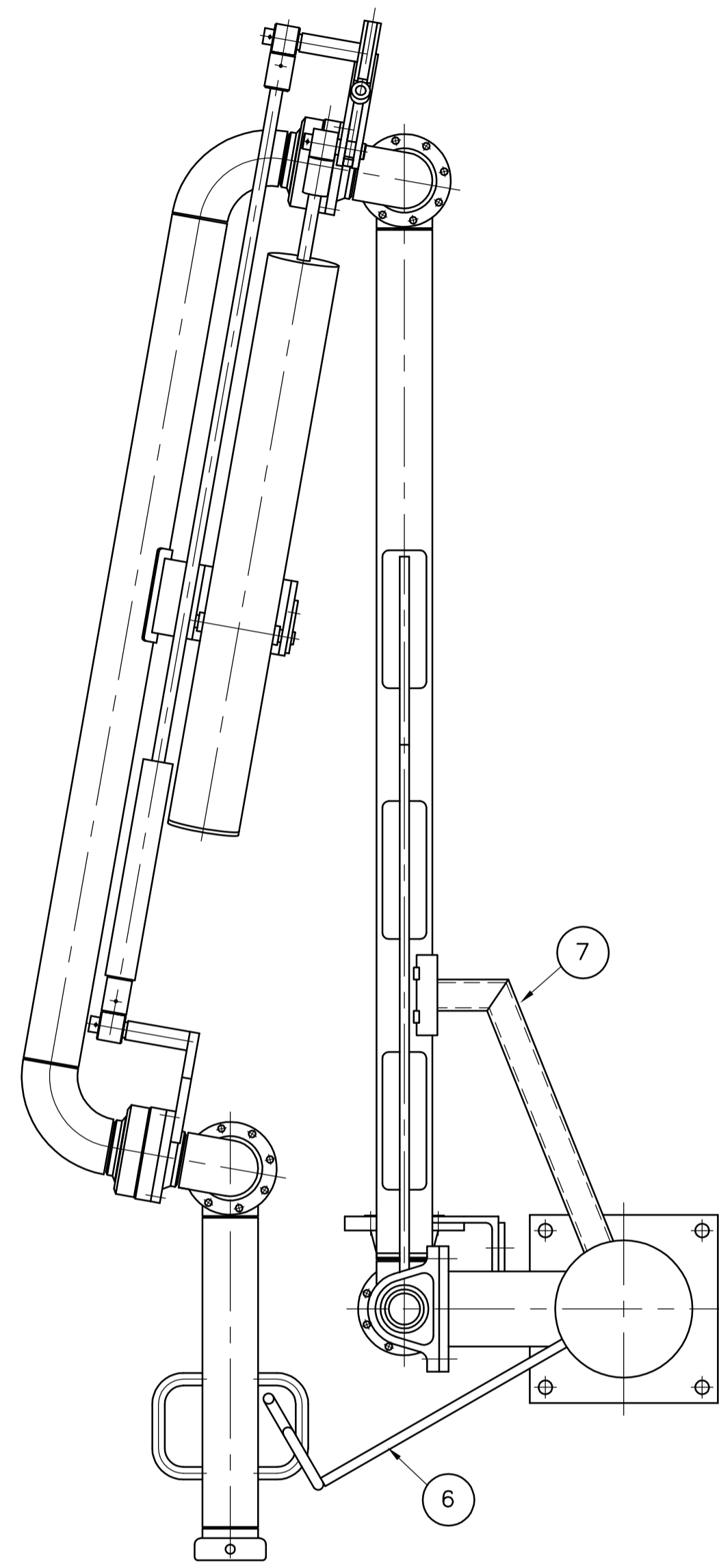


ITEM	QTY	DESCRIPTION
1	1	INLET FLANGE – Flange options ANSI, PN16, TABLE D/E
2	5	3 PART SWIVEL JOINT WITH PTFE PRODUCT SEAL
3	1	PILLOW BLOCK BEARING
4	1	OUTLET CONTROL HANDLE
5	1	MOUNTING COLUMN

ITEM	QTY	DESCRIPTION
6	1	OUTLET PARKING HOOK
7	1	BOOM PARKING CLAMP
8	1	COMPRESSION SPRING BALANCE CYLINDER
9	1	SPRING RATE COMPENSATOR
10	1	HORIZONTAL BALANCER



REVISION	DATE	BY	DESCRIPTION
C			
B	09.01.13	PJL	OVERHEAD INLET OPTION ADDED
A	30.10.09	PJL	FIRST ISSUE FOR MANUFACTURE

**CONFIDENTIAL**  
This drawing and any relevant information contained herein is property of IFC inflow Ltd, and must not be used in any way contrary to the interests of IFC inflow Ltd. Do not copy without prior written permission.

FINISH	-
MATERIAL	-
MODIFY ON C.A.D.	THIRD ANGLE PROJECTION

**IFC Inflow**  
Liquid Loading & Safe Tanker Access

TE  
DRA  
TTTL

BLA 403 OPTIONS

JOB No  
DRAWING No  
CHEM-BLA-050

REV  
B

