

# Acuflow Positive Displacement Flow Meter

**HIGH SPEED BULK FLOW METER**

The IFC Acuflow meter is designed for oil & petrochemical products



- High accuracy and consistent repeatability
- Proven design and robust construction for long term reliability
- Tri rotor metering technology allows high flow rates coupled to unrivalled accuracy
- Fast flow rates up to 3000 l/min
- Available in a range of sizes and options to suit many applications
- Mechanical counter or electronic pulsed output
- Ideal solution for accurate bulk metering of fuels & oils into road & rail tankers and many boat, plant and industrial applications
- Optional ticket printer, preset counter and micro-switches to control pumps and valves

S1013D Datasheet

**LIQUID METERING SOLUTIONS**

**[www.IFCinflow.com](http://www.IFCinflow.com)**

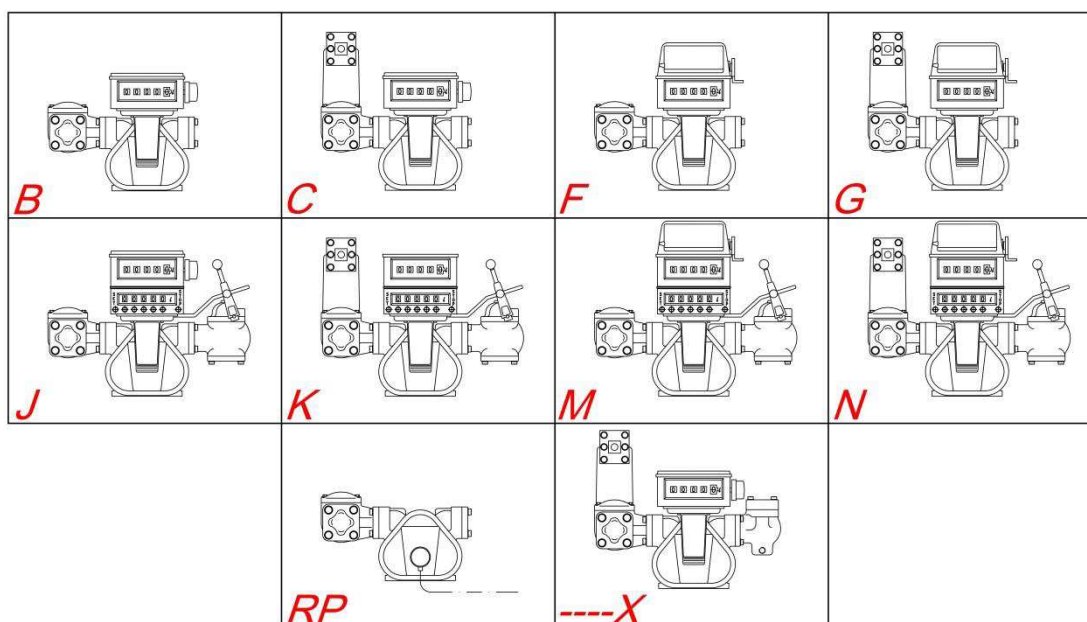
# Leaders in liquid metering systems

## Technical data:

- 1-1/2in, 2in, 3in & 4in models as standard with high capacity 6in version available
- Flow rates from 25 to 3000 L/min
- Accurate to +/- 0.15%    Repeatability 0.02%    10:1 turndown
- Aluminum body & rotor, ductile iron timing gears, Viton seals, carbon bearings
- BSP female threaded or socket weld flange connections
- Maximum working temperature 71°C
- Maximum working pressure 10.5 bar
- Mechanical or electronic pulsed output
- 80 mesh stainless steel inlet strainer as standard
- Available accessories include air separator, air check valve & preset delivery valve
- Optional ticket printer, preset counter and micro-switches to control pumps and valves
- S50 stainless steel variant for chemical applications

## Meter Options

Meter version	Counter	Strainer	Air eliminator	Preset & valve	Printer
B	X	X			
C	X	X	X		
F	X	X			X
G	X	X	X		X
J	X	X		X	
K	X	X	X	X	
M	X	X		X	X



For all **YOUR** liquid metering solutions



INDUSTRIAL FLOW CONTROL LTD, 3 RYDER WAY, BASILDON, ESSEX. SS13 1QH. UK

T: +44 1268 596900    E: sales@IFCinflow.com