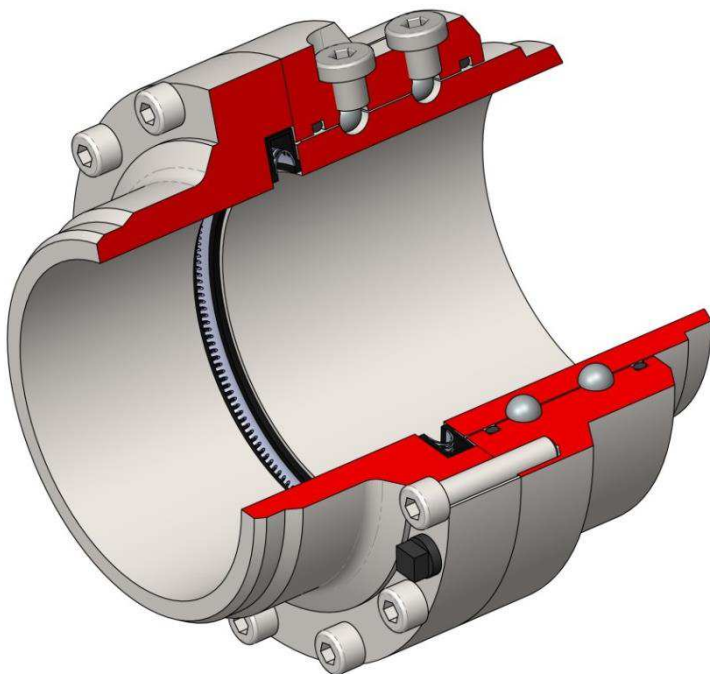


Inflow Swivel Joints

GENERAL PURPOSE PIPE SWIVEL JOINTS

Used in loading arms, floating suctions, condensation drains and anywhere rigid pipework requires dynamic rotation.



- Completely liquid tight to ensure pipeline integrity
- 3 part design allows for easy servicing and access to product seal
- PTFE seals as standard for superior liquid compatibility
- Available in aluminium, carbon and stainless steel to suit application
- Available in sizes from 2in to 4in, 6in on special requests
- Flanged, threaded or weld prep connections

S1048C Datasheet

LIQUID HANDLING SOLUTIONS

www.IFCinflow.com

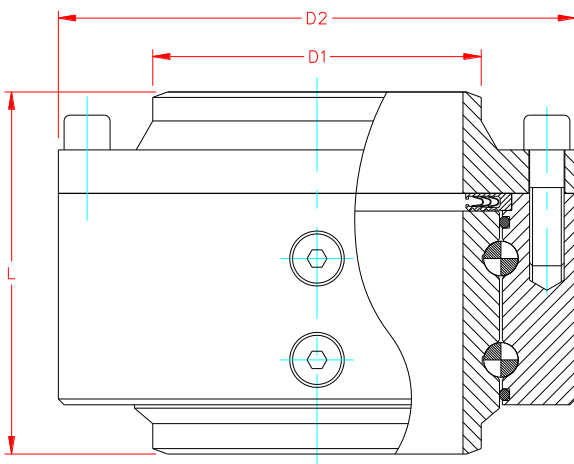
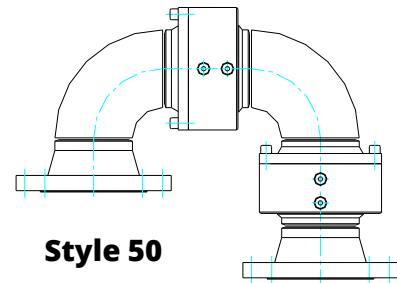
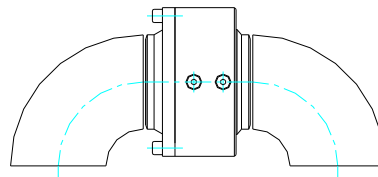
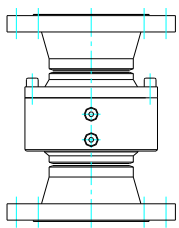
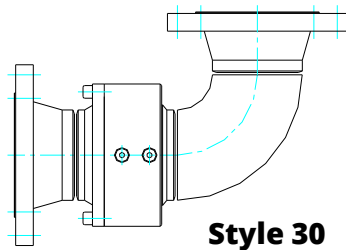
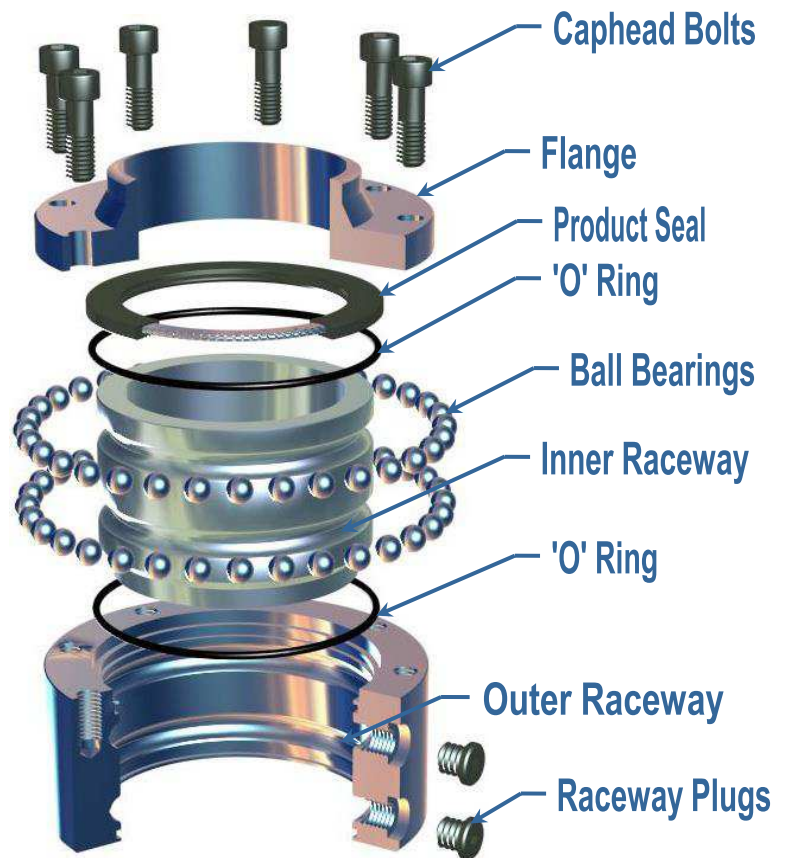
Leaders in liquid handling systems

Technical data

Maximum Pressure: Up to 36 Bar
Max Temperature: Up to 230°C
Min Temperature: Up to -50 C
Connection Options: BSPT M/F
 ANSI 150
 PN16
 Weld preparation to Sch 40
 TTMA

Materials of Construction

Outer Body: EN45 carbon Steel / 316L
Inner Body: 304L / 316L / 30CrMo
Flange: EN45 Carbon Steel / 316L / 304L
Product Seal: P.T.F.E + 304 S/S Springs
Dust Seals: PTFE encapsulated Viton
Ball-race bearings: CG15 chrome alloy steel



Swivel Joint Dimensions (mm)				
D.N.	D1	D2	L	Weight
50 (2")	60	117	145	5.88Kg
80 (3")	88.9	152	155	8.8Kg
100 (4")	114.3	175	165	10.5Kg

For all **YOUR** liquid handling solutions



INDUSTRIAL FLOW CONTROL LTD, 3 RYDER WAY, BASILDON, ESSEX. SS13 1QH. UK

T: +44 1268 596900 **E:** sales@IFCinflow.com