

FlowLoad

ATEX Certified Bottom Hose Loading Arm

ifcinflow
Liquid Transfer



The BLA-405-ATEX Bottom Hose Loading Arm is for loading tankers with high inlet flanges. It can be used to supply multiple products simultaneously and is commonly used in Petroleum Terminals & Refineries or other applications when ATEX certification is required.

Features and Benefits

- Compression spring balancing makes it easy to handle and maneuver by a single operator
- Low profile design allows for small height variations
- Heavy duty inlet swivel for long service life
- Arms can be mounted close to each other to load multiple products
- Industry standard TTMA flange connections
- Boom and aluminium apex swivel for optimal flexibility and reach
- High quality, heavy duty composite or ST/ST braided drop hoses

Uses Include

- Widely used to load multiple fuel products at Petroleum Refineries & Terminals
- Single and multi pot tanker loading
- Vapour return from tanker
- Tanker loading skids and loading racks

Safety by Design

ifcinflow

Unit 3 Ryder Way
Basildon
Essex SS13 1QH

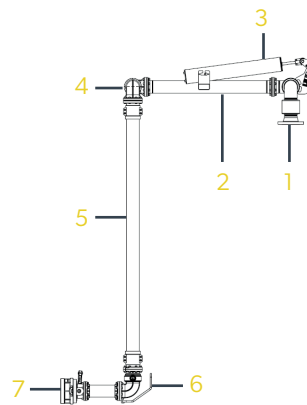
ifcinflow.com
+44 (0) 1268 596 900
sales@ifcinflow.com

Specifications

Technical Features			
Nominal diameter		3"	4"
Fluid Type		Hydrocarbons	
Nominal Flow Rate	m ³ /h	70	120
	l/min	1200	2000
Max Flow Rate	m ³ /h	82	150
	l/min	1400	2500
Design Temperature		-15°C / +65°C	
Weight (kg)		130	160
Design Pressure		10 bar	
Test Pressure		15 bar	

Standard Model Shown

- 1 Double base swivel in carbon steel
- 2 Carbon steel boom pipe
- 3 Compression Spring Balancing
- 4 Intermediate aluminium swivel
- 5 Vertical flexible conductive hose
- 6 Bottom end aluminium swivel
- 7 4" API RP 1004 Coupler in aluminium alloy with seals



Options & Accessories

Options

- Arm material: stainless steel AISI 304 or AISI 316.
- Seals in HNBR, FFKM, PTFE
- Left-hand version
- Split Type junctions: 3-pieces to facilitate maintenance.
- Coupler 4" semiautomatic API RP 1004
- Coupler Stanag 3756
- Rigid drop pipe
- Aviation fuels version, with hose compliant to EN 1361
- Special configurations for extreme temperatures (-60/+200 °C)

Accessories

- ERC Dry-break emergency valve
- Loading position Micro-switch
- Park position Micro-switch
- Stand-post
- Stainless steel Protection Jacket



ifcinflow

Unit 3 Ryder Way
Basildon
Essex SS13 1QH

Safety by Design

ifcinflow.com
+44 (0) 1268 596 900
sales@ifcinflow.com

