

FlowLoad

Fixed Reach Top Loading Arm



The TLA-102 Fixed Reach Top Loading Arm reaches a fixed point on the tanker top. It is commonly fitted where the reach dimension is fixed such as on a rail car.

Features and Benefits

- Heavy duty double base swivel allows for horizontal and vertical movement
- Dual intermediate swivels ensure drop pipe stays in the vertical position
- Torsion spring balancing makes it easy to operate.
- Easy operating adjustable loading valve ensure accurate control of loading process.
- Remote operating valve handle allows the valve be controlled from the top of the tank.
- Standard version made of aluminium for lightweight design and easy operation.
- Arms designed to suit specific liquids, with wetted materials including aluminium, carbon steel, stainless steel versions.

Uses Include

- Mainly used for loading of multiple petroleum products, can also be used to transfer of all types of liquid including chemicals, solvents, acids, fuels, alcohols, spirits and highly flammable liquids.
- Particularly suitable for liquids that are deemed hazardous to health and/or the environment.

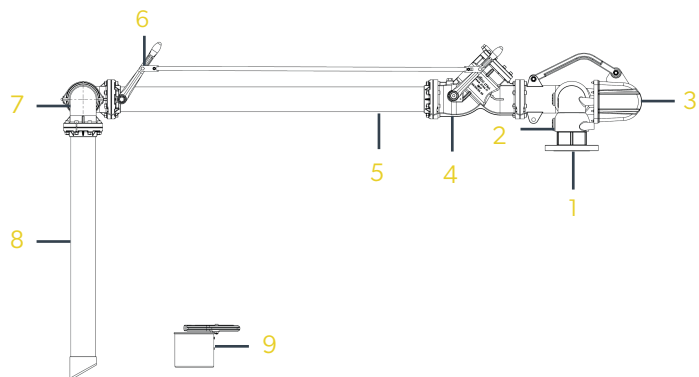
Safety by Design

Specifications

Technical Features					
Nominal diameter		2"	3"	4"	6"
Fluid Type		Hydrocarbons			
Nominal Flow Rate	m ³ /h	30	70	120	280
	l/min	500	1200	2000	4700
Max Flow Rate	m ³ /h	38	82	150	310
	l/min	650	1400	2500	5200
Design Temperature		-15°C / +65°C			
Weight (kg)		70	79	97	173
Design Pressure		10 bar			
Test Pressure		15 bar			

Standard Model Shown

- 1 Right-hand layout with ANSI 150 inlet flange
- 2 Double swing base swivel
- 3 Torsion Spring Balancing unit
- 4 Loading Valve
- 5 Main Pipe
- 6 Valve remote control lever
- 7 Drop Pipe Swivel
- 8 Drop Pipe
- 9 Drip can



Options & Accessories

Options

- Arm materials: liquid line made of carbon steel, stainless steel AISI 304 or AISI 316 with seals in HNBR, FFKM or PTFE
- Configurations include left handed and upward and side inlet flange with PN16 base swivel
- Compressed spring piston balancing
- Split Type swivels: 3-pieces to facilitate maintenance.
- Loading valve with "hold open" operation which closes automatically when the lever is released.
- Chrome plated loading valve inside for jet fuels.
- "T" deflector end-pipe in aluminium alloy
- Special configurations for extreme temperatures (-60/+200 °C)
- Heating system

Accessories

- Check valve
- Vacuum breaker valve
- Flow indicator
- Micro switch loading valve position indicator
- Micro switch to indicate vertical position
- Micro switch to indicate rest position
- Mechanical lock "Hold Down" in working position
- Mechanical Park lock in rest position
- Overfill sensor with handle
- Pump start/stop button
- Stand-post

ifcinflow

Unit 3 Ryder Way
Basildon
Essex SS13 1QH

Safety by Design

ifcinflow.com
+44 (0) 1268 596 900
sales@ifcinflow.com



015

