

Flyte Coupler

BULK RAIL FUELLING COUPLER

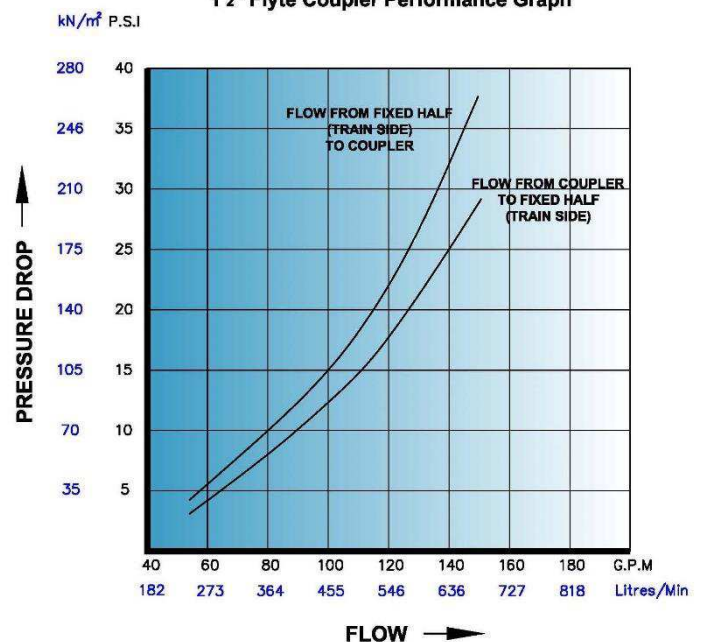
Screw connect dry break coupler for bulk rail fuelling applications



Features and Benefits:

- **Flow rates from 50—650 litres per minute** provide optimum fuelling times
- **Screw connect dry break valve** allows safe & easy connection to fuel tanks
- **1 1/2" bspf inlet** compatible with most commonly used train refuelling hoses
- **Viton seals** provide full resistance to all existing and new fuel blends
- **High impact steel body** for durability and strength
- **Corrosion resistant coating** for long working life
- **Durable forged steel handle** give excellent levels of operator control
- **Unique hex socket fitting** allows fast and easy installation
- **Interchangeable** with all existing rail couplers
- **Easy replacement cartridge**, quick servicing and short down time

Industrial Flow Control
1 1/2" Flyte Coupler Performance Graph

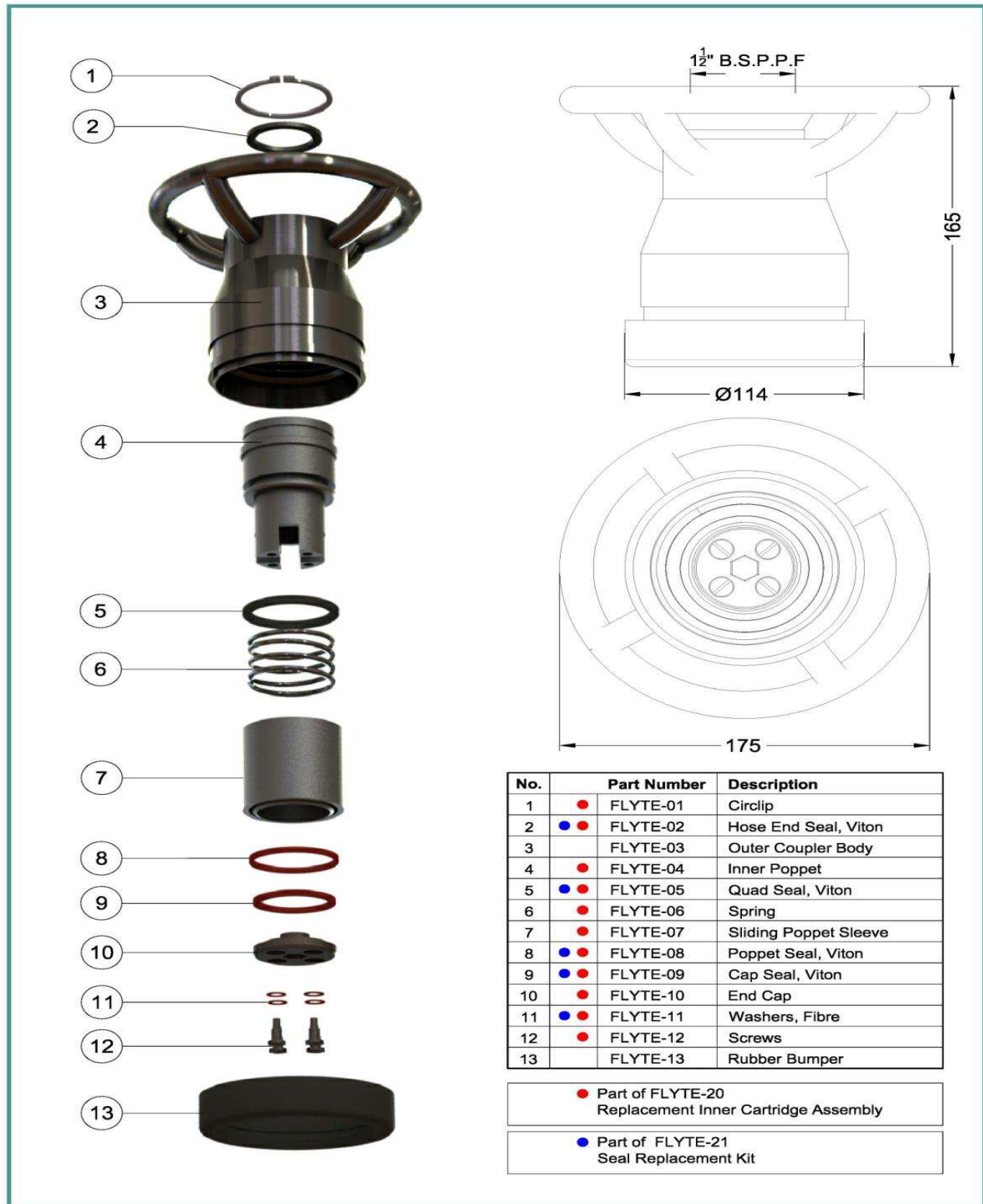


S1010E Datasheet

LIQUID HANDLING SOLUTIONS

www.IFCinflow.com

Leaders in liquid handling systems



For all **YOUR** liquid handling solutions



INDUSTRIAL FLOW CONTROL LTD, 3 RYDER WAY, BASILDON, ESSEX. SS13 1QH. UK

T: +44 1268 596900 E: sales@IFCinflow.com